



IVC-3D Stainless Steel Smart Cameras

Advanced 3D inspection for harsh environments

Advanced 3D inspection for harsh environments

IVC-3D Stainless Steel

Applications



The world's first 3D Smart Camera now meets the tough challenges of the food and beverage industry.

IVC-3D Stainless Steel helps you ensure excellent product quality throughout the production process – even in harsh environments.

The IVC-3D Stainless Steel Smart Camera is specially designed for harsh environments combining imaging, lighting and analysis in a single, robust, stainless steel housing.

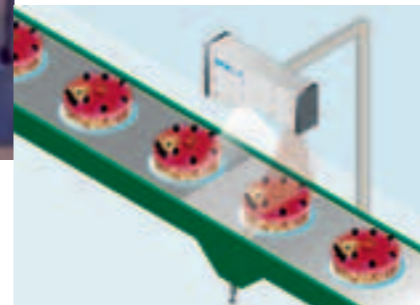
IVC-3D makes advanced 3D vision easy

IVC-3D was the first 3D Smart Camera available on the market, and still keeps its leading position. The third dimension is created by laser triangulation: A 3D image is created as the object moves under a laser beam. Measuring in 3D provides information about object height, shape and volume, independent of contrast and color. With the IVC-3D, applications and processes are kept at the highest levels of performance. It is easily configured with a PC using the IVC Studio user interface. An emulator allows users to work off-line and test their applications on batches of stored images. In addition, powerful toolsets for image analysis and communication make interfacing with PLCs, robots and control systems easy. Once the application is set up, the computer is not needed as the IVC Smart Cameras operate stand-alone or as part of the factory network.



Robust solutions for harsh operating conditions

3D imaging is ideal where height, shape and volume are important features in production. The IVC-3D makes high-speed production processes cost-effective and accurate. Packaging problems are minimized and product quality meets the customers' high expectations. The IVC-3D Stainless Steel is well fitted for food production processes and easily measures features such as content, shape, volume and portions. With these unique capabilities and flexibility IVC-3D enables manufacturers to optimize production costs and reduce waste.



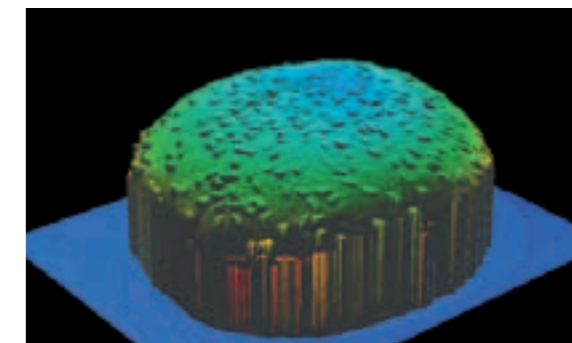
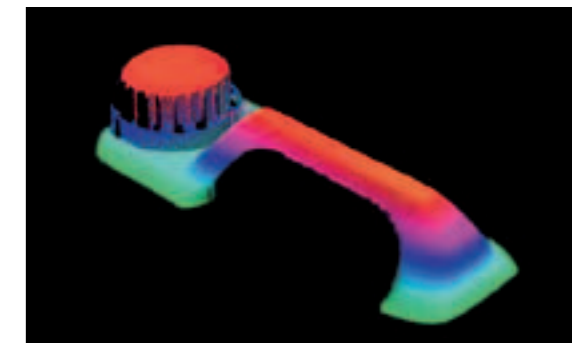
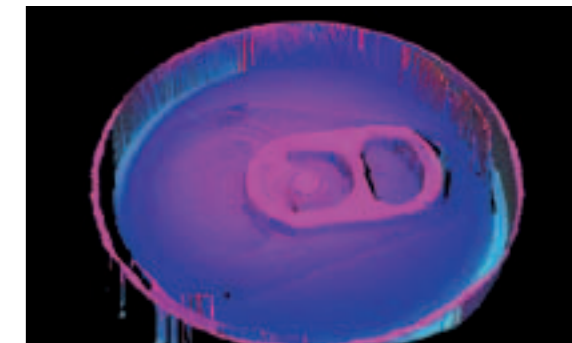
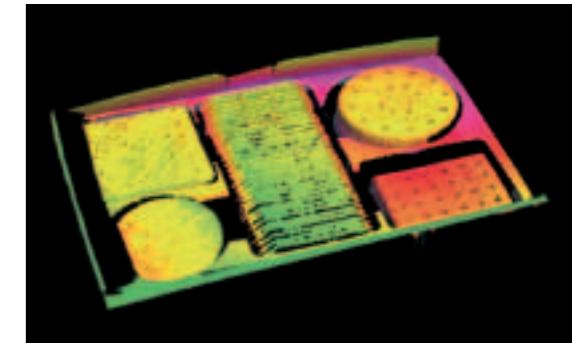
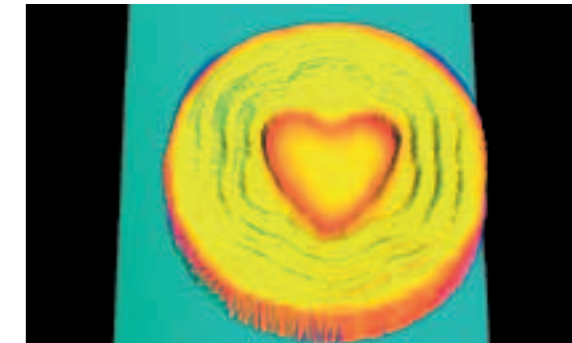
Quality inspection

The IVC-3D Smart Camera records the 3D shape at high speed as the baked cakes pass by on the conveyor belt. The camera checks that there are no dents or missing chunks, and that the height, volume, roundness and diameter are correct. Fast detection of production errors enables production control, waste reduction and less downtime.



Robust verification

The IVC-3D Smart Camera locates the cap and verifies that it is correctly assembled, independent of cap color. For many package types, the measurements in 3D can be made relative to the rest of the package. This gives a correct result even if the container itself is slightly tilted on the conveyor. IVC-3D provides robustness superior to any 2D solution.





Prepared for the food and beverage industry: IP 67 and ECOLAB

IVC-3D Stainless Steel is perfect for a wide range of applications in the food and beverage industry.

The hygienic, IP 67 rated design is easy to clean, and ECOLAB certified to be resistant to industrially used cleaning agents. This Smart Camera enables high-speed production processes to run smoothly through precise shape and volume measurements with instant response.

ECOLAB

Testing the resistance of materials to aggressive cleaning agents and disinfectants:

- 28 days reaction time
- 20 °C temperature
- no swelling
- no embrittlement



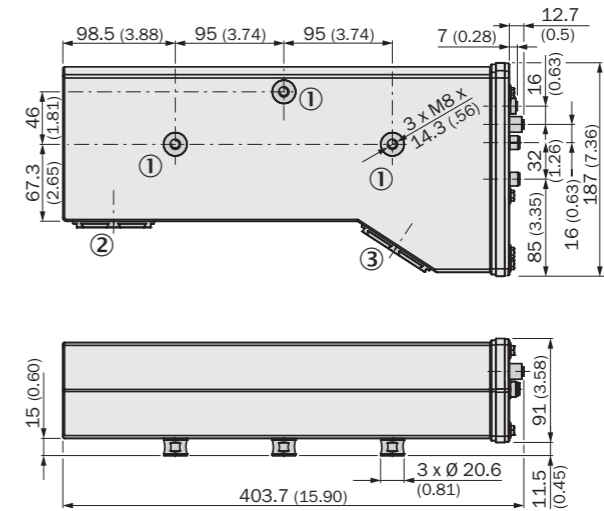
	Field of view (H x W) 50 x 150 mm, 100 x 200 mm, 200 x 600 mm, 300 x 1000 mm
Smart Cameras	

- Food grade stainless steel housing and PMMA windows
- Hygienic, IP 67 rated design for easy cleaning
- ECOLAB tested, resistant to aggressive cleaning agents and disinfectants
- Hose adaptor accessory for easy integration

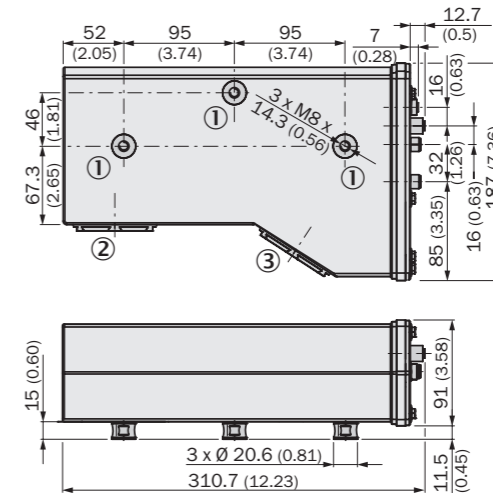


Smart Cameras: IVC-3D Stainless Steel

Dimensional drawing
IVC-3D 200, IVC-3D 300



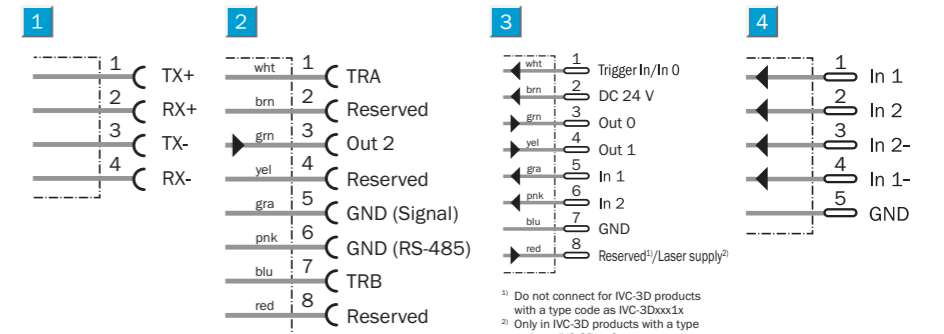
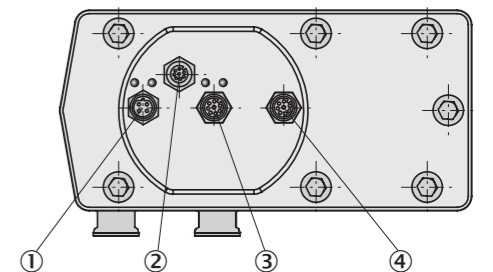
IVC-3D 50, IVC-3D 100



- 1 Fastening threads
- 2 Laser unit
- 3 Image sensor

Connection type

- 1 Ethernet: M12, 4-pin, D-coded, female
- 2 RS-485: M12, 8-pin, female
- 3 Power I/O: M12, 8-pin, male
- 4 Encoder: M12, 5-pin, male



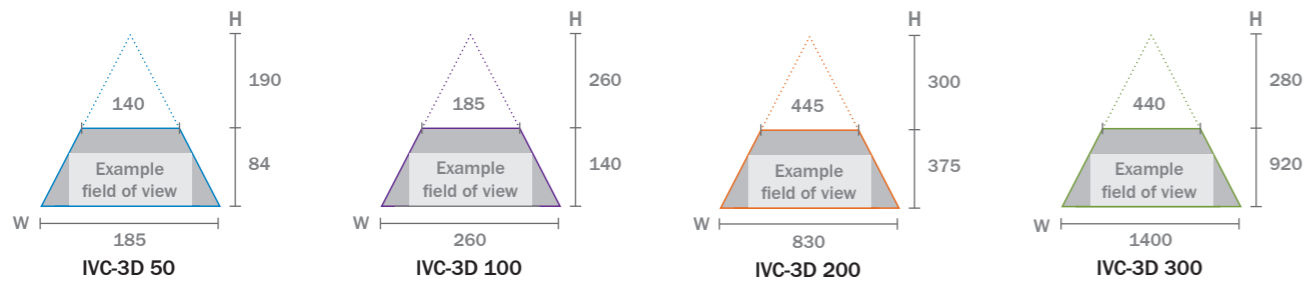
¹⁾ Do not connect for IVC-3D products with a type code as IVC-3Dxxx1x
²⁾ Only in IVC-3D products with a type code as IVC-3Dxxx2x



Laser class 2M



Field of view



Measurement details

	IVC-3D 50	IVC-3D 100	IVC-3D 200	IVC-3D 300
Example FOV ¹⁾	50 mm x 150 mm	100 x 200 mm	200 mm x 600 mm	300 mm x 1000 mm
Max. height range	84 mm	140 mm	375 mm	920 mm
Width at max. working distance ²⁾	185 mm	260 mm	830 mm	1400 m
Robust method	1024 points	1024 points	1024 points	700 points
High resolution method	2048 points	2048 points	2048 points	700 points
Max. profile width	2048 points	2048 points	2048 points	1400 points
Min. working distance ²⁾	190 mm	260 mm	300 mm	280 mm
Height resolution ³⁾	0.04 mm	0.05 mm	0.2 mm	1.2 mm
Profile rate in image mode ⁴⁾	< 5000 profiles/s	< 5000 profiles/s	< 5000 profiles/s	< 5000 profiles/s
Profile rate in profile mode ⁴⁾	< 3700 profiles/s	< 3700 profiles/s	< 3700 profiles/s	< 3700 profiles/s

¹⁾ Typical
²⁾ ± 10% for IVC-3D 30, ± 5% for the other FOV variants
³⁾ Represents what may be achieved but is application dependent
⁴⁾ Dependent on settings in grab setup

Ordering information

IVC-3D Stainless steel			Accessories		
Description	Model name	Order no.	Description	Model name	Order no.
IVC-3D 50	IVC-3D21113	1 050 157	Ethernet cable 3 meter, M12, D-coded, 4-pin to RJ45	SSL-2J04-G03ME	6 029 630
IVC-3D 100	IVC-3D51113	1 050 158	Ethernet cable 5 meter, M12, D-coded, 4-pin to RJ45	SSL-2J04-G05ME	6 035 389
IVC-3D 200	IVC-3D11113	1 048 004	Power I/O cable 2 meter, M12, 8 pin to open	DOL-1208-G02MA	6 020 633
IVC-3D 300	IVC-3D41113	1 049 024	Power I/O cable 5 meter, M12, 8 pin to open	DOL-1208-G05MA	6 020 993
			Encoder cable 2 meter, M12, 5-pin to open	DOL-1205-G02M	6 008 899
			Encoder cable 5 meter, M12, 5-pin to open	DOL-1205-G05M	6 009 868
			RS-485 cable 2 meter, M12, 8-pin to open	STL-1208-G02MA	6 029 330
			RS-485 cable 5 meter, M12, 8-pin to open	STL-1208-G05MA	6 029 331
			Protective hose 5 meter, with adapter plate	Protective hose	2 055 449
			Calibration object for IVC-3D 50 and IVC-3D 100	IVCAL-P050	2 042 582
			Calibration object for IVC-3D 200	IVCAL-P200	2 042 579
			Calibration cones for IVC-3D 300	IVCAL-P300	2 042 542
			Adapter for full Ethernet/IP standard compliance	EtherNet/ IP adapter	2 044 264
			I/O extension box with 2 Ethernet ports, 4 in / 8 out	I/O extension box	6 037 654

Technical data	IVC-3D	21113	51113	11113	41113
		IVC-3D 50	IVC-3D 100	IVC-3D 200	IVC-3D 300
Performance	5,000 profiles/second, image mode				
	800 MHz processor and FPGA acceleration				
Interface	10/100 MB Fast Ethernet ¹⁾				
Serial interface	RS-485				
Digital I/O	3 program controlled inputs (1 trigger input)				
	3 program controlled outputs				
Digital inputs	HIGH = 10 V ... 28.8 V				
Digital outputs	B-type < 100 mA tot. current of all digital outputs				
Encoder interface	RS-422				
Max encoder frequency	2 MHz				
Enclosure rating	IP 67				
Dimensions L x W x H	404 mm x 103 mm x 187 mm				
	311 mm x 103 mm x 187 mm				
Weight	Approx. 6.7 kg				
	Approx. 5.5 kg				
Housing material	Stainless steel				
Connector material	Stainless steel				
Window material	PMMA				
Shock load	15 g, 3 x 6 directions				
Vibration load	5 g, 58 ... 150 Hz				
Laser class	Class II/2M				
Imager	CMOS				
Imaging angle	60.5°				
	58°				
	61°				
	53°				
3D height resolution	0.04 mm				
	0.05 mm				
	0.2 mm				
	1.2 mm				
Max. profile width	1,400 points				
	2,048 points				
Laser wavelength	Typ. 658 nm ± 15 nm				
Laser filter	60 nm FWHM				
Laser modes	Continuous or flashed, software controlled				
Power supply	24 V DC ± 20 %				
Current consumption	< 1 A				
Ripple	< 5 VPP				
Ambient temperature	Operation: 0 °C ... +40 °C				
	Storage: -20 °C ... +70 °C				

IVC Studio PC application development tool
 Min. system req. 550 MHz CPU, 128 MB RAM, CD-ROM or DVD, Fast Ethernet, Win 2000/WinXP.
 Graphics driver support for OpenGL 1.3 or higher.
 IVC Studio in English and in German.

¹⁾ TCP/IP/ UDP/IP, Ethernet/IP

Australia

Phone +61 3 9497 4100
1800 33 48 02 - tollfree
E-Mail sales@sick.com.au

Belgium/Luxembourg

Phone +32 (0)2 466 55 66
E-Mail info@sick.be

Brasil

Phone +55 11 3215-4900
E-Mail sac@sick.com.br

Ceská Republika

Phone +420 2 57 91 18 50
E-Mail sick@sick.cz

China

Phone +852-2763 6966
E-Mail ghk@sick.com.hk

Danmark

Phone +45 45 82 64 00
E-Mail sick@sick.dk

Deutschland

Phone +49 211 5301-301
E-Mail kundenservice@sick.de

España

Phone +34 93 480 31 00
E-Mail info@sick.es

France

Phone +33 1 64 62 35 00
E-Mail info@sick.fr

Great Britain

Phone +44 (0)1727 831121
E-Mail info@sick.co.uk

India

Phone +91-22-4033 8333
E-Mail info@sick-india.com

Israel

Phone +972-4-999-0590
E-Mail info@sick-sensors.com

Italia

Phone +39 02 27 43 41
E-Mail info@sick.it

Japan

Phone +81 (0)3 3358 1341
E-Mail support@sick.jp

Nederlands

Phone +31 (0)30 229 25 44
E-Mail info@sick.nl

Norge

Phone +47 67 81 50 00
E-Mail austefjord@sick.no

Österreich

Phone +43 (0)22 36 62 28 8-0
E-Mail office@sick.at

Polska

Phone +48 22 837 40 50
E-Mail info@sick.pl

Republic of Korea

Phone +82-2 786 6321/4
E-Mail kang@sickkorea.net

Republika Slovenija

Phone +386 (0)1-47 69 990
E-Mail office@sick.si

România

Phone +40 356 171 120
E-Mail office@sick.ro

Russia

Phone +7 495 775 05 34
E-Mail info@sick-automation.ru

Schweiz

Phone +41 41 619 29 39
E-Mail contact@sick.ch

Singapore

Phone +65 6744 3732
E-Mail admin@sicksgp.com.sg

Suomi

Phone +358-9-25 15 800
E-Mail sick@sick.fi

Sverige

Phone +46 10 110 10 00
E-Mail info@sick.se

Taiwan

Phone +886 2 2375-6288
E-Mail sales@sick.com.tw

Türkiye

Phone +90 216 587 74 00
E-Mail info@sick.com.tr

United Arab Emirates

Phone +971 4 8865 878
E-Mail info@sick.ae

USA/Canada/México

Phone +1(952) 941-6780
1 800-325-7425 - tollfree
E-Mail info@sickusa.com

More representatives and agencies
in all major industrial nations at
www.sick.com